

P:\1012409\CAD\Drawings\1012409-SPM.dwg SPM-01 Feb 22, 2023 11:36am By: rcauthan

NUMBER	DATE	DESCRIPTION
P-0	12/08/2022	90% PLANS ISSUED TO CITY OF WINTER HAVEN FOR REVIEW

CHASTAIN-SKILLMAN
 205 EAST ORANGE STREET
 SUITE #110
 LAKELAND, FL 33801-4611
 (863) 646-1402



CITY OF WINTER HAVEN
 LAKE ELBERT TRAIL
 LAKE ELBERT DRIVE, WINTER HAVEN, FLORIDA

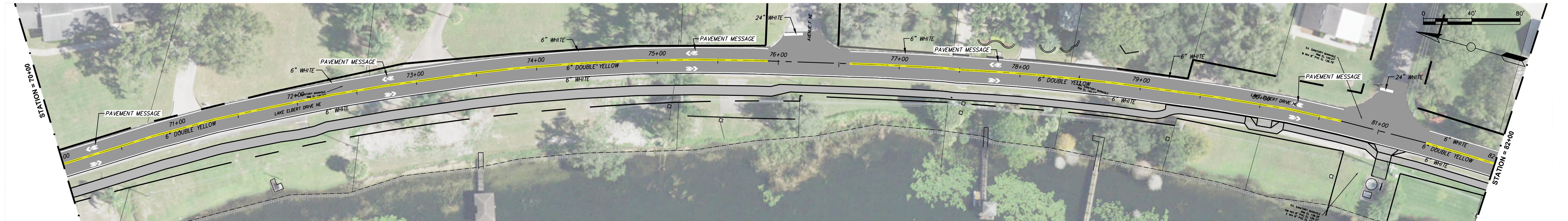
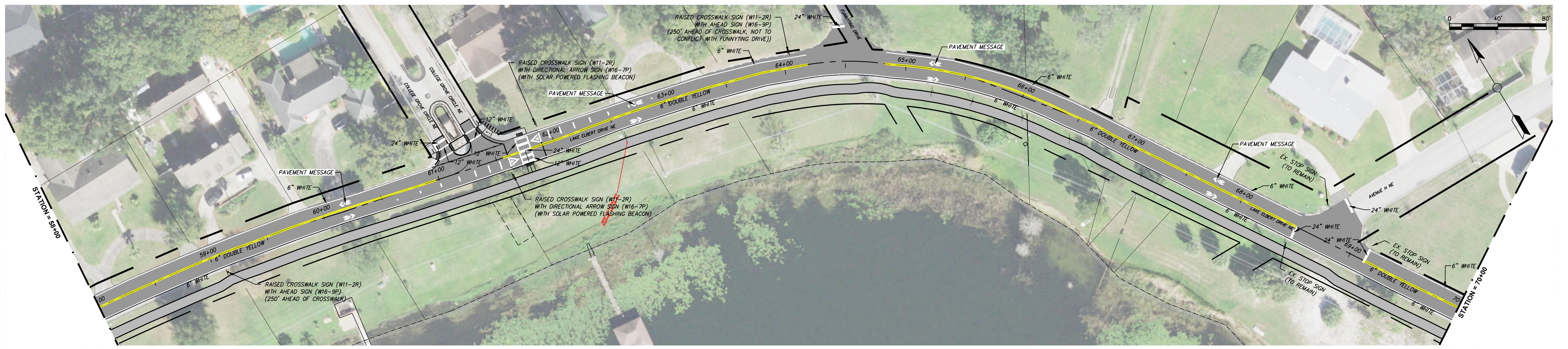
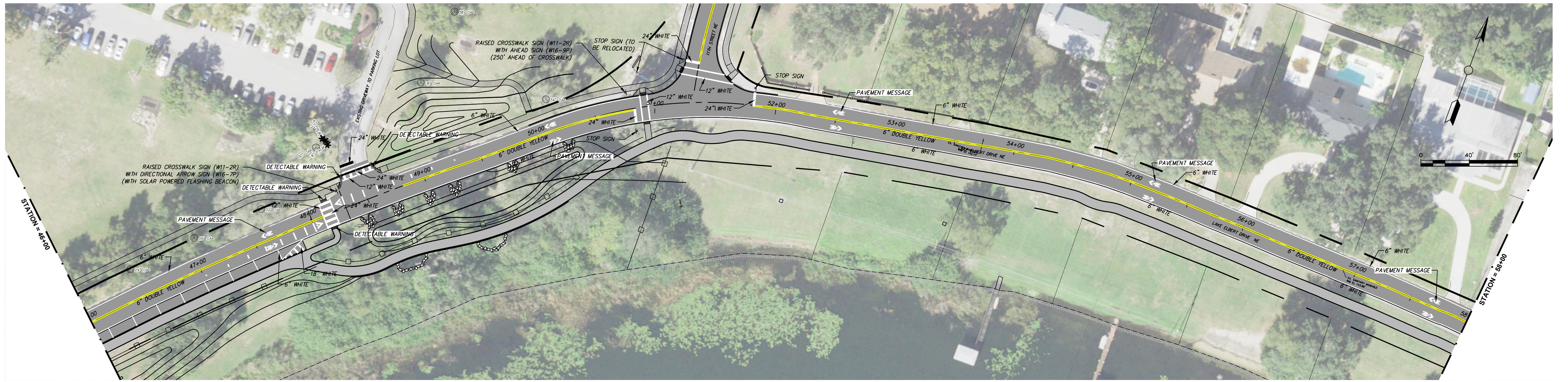
SIGN AND PAVEMENT MARKING PLAN

This item has been digitally signed and sealed by W. R. Cauthan on the date adjacent to seal. Printed copies of this document are not considered signed and sealed and the signature must be verified on any electronic copies.

February 22, 2023 ENGINEER: W. R. CAUTHAN, P.E.
 REG. NO.: 27863

PROJECT NUMBER:
10124.09

SHEET NUMBER:
SPM-01



NUMBER	DATE	DESCRIPTION
P-0	12/08/2022	90% PLANS ISSUED TO CITY OF WINTER HAVEN FOR REVIEW

CHASTAIN-SKILLMAN
 205 EAST ORANGE STREET
 SUITE #110
 LAKELAND, FL 33801-4611
 (863) 646-1402

© 2022 CHASTAIN SKILLMAN REG. NO. 282



CITY OF WINTER HAVEN
 LAKE ELBERT TRAIL
 LAKE ELBERT DRIVE, WINTER HAVEN, FLORIDA

SIGN AND PAVEMENT MARKING PLAN

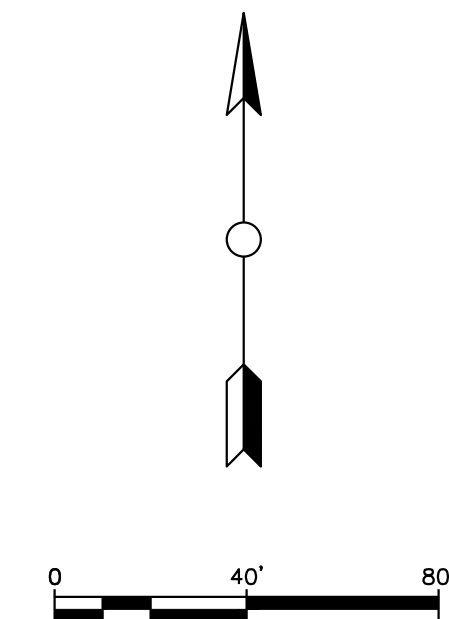
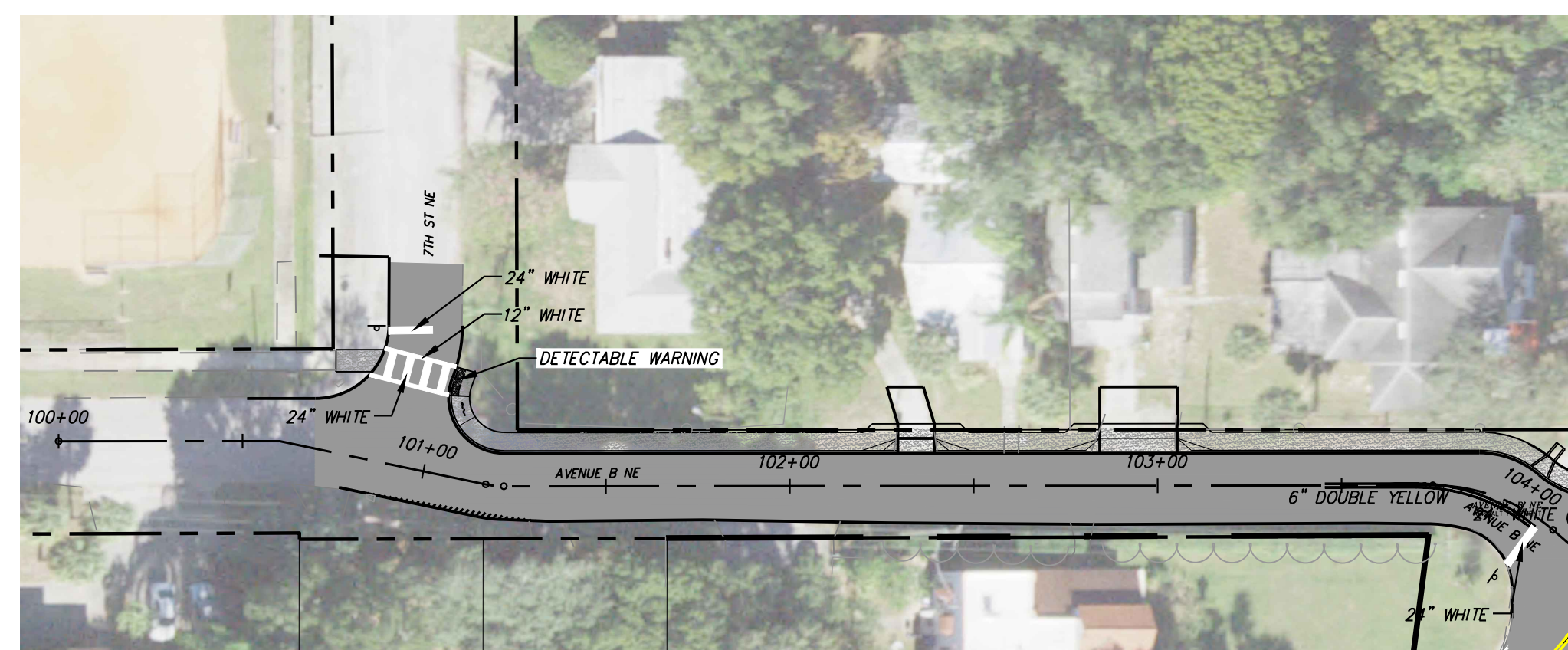
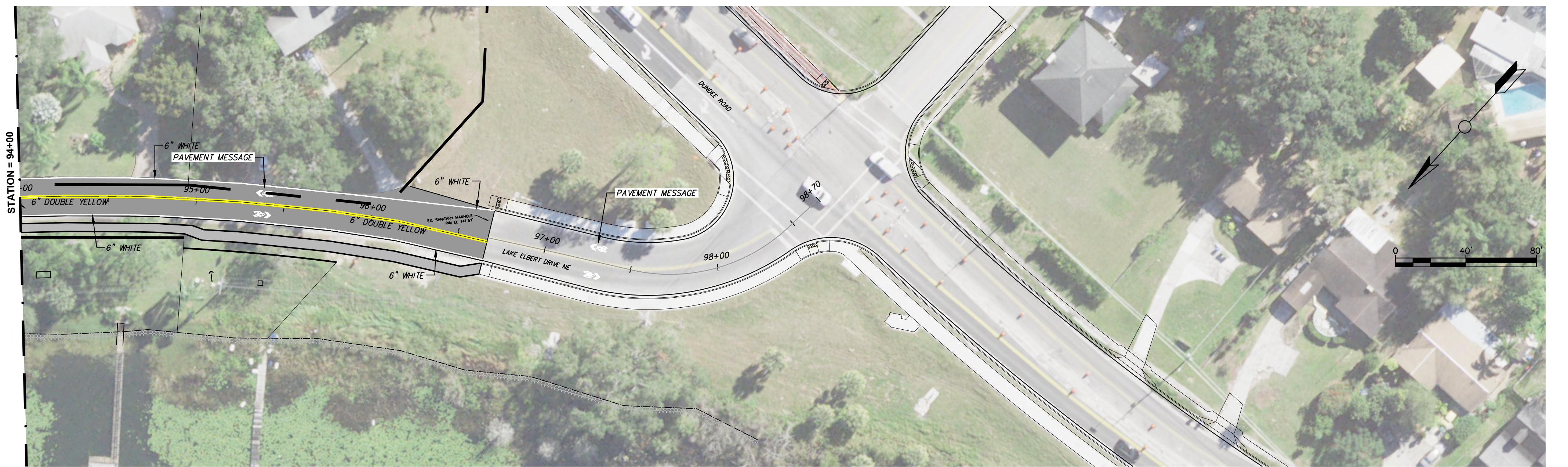
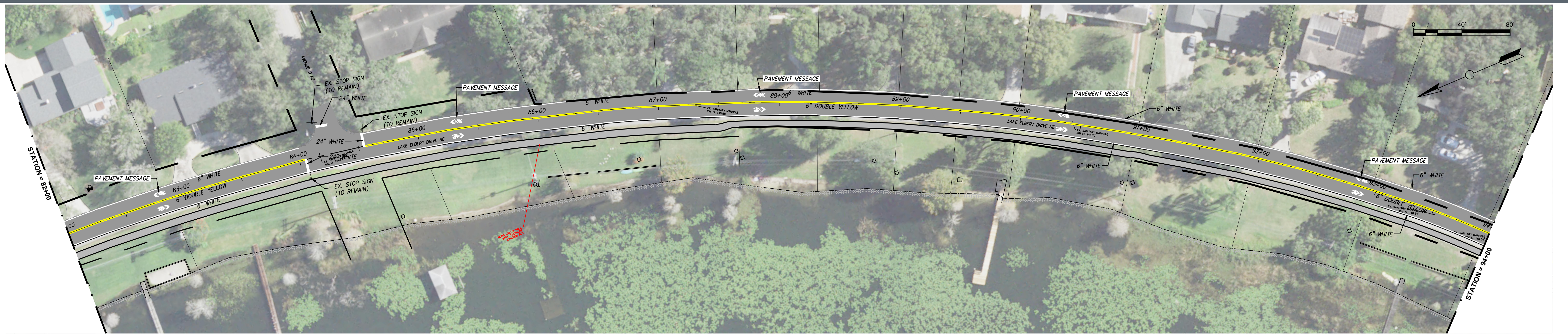
This item has been digitally signed and sealed by W. R. Cauthan on the date adjacent to seal. Printed copies of this document are not considered signed and sealed and the signature must be verified on any electronic copies.

PROJECT NUMBER:
10124.09

SHEET NUMBER:
SPM-02

February 22, 2023 ENGINEER: W. R. CAUTHAN, P.E.
 REG. NO.: 27863

P:\10124\DWG\CAD\Gis\10124\DWG\Production\Drawings\10124\SPM.dwg SPM-02 Feb 22, 2023 1:37pm by rcauthan



P:\1012409\CAD\Drawings\1012409-SPM.dwg SPM-03 Feb 22, 2023 1:38pm by rcauthan

NUMBER	DATE	DESCRIPTION
P-0	12/06/2022	90% PLANS ISSUED TO CITY OF WINTER HAVEN FOR REVIEW

CHASTAIN-SKILLMAN
 205 EAST ORANGE STREET
 SUITE #110
 LAKELAND, FL 33801-4611
 (863) 646-1402

© 2022 CHASTAIN SKILLMAN REG. NO. 282



CITY OF WINTER HAVEN
 LAKE ELBERT TRAIL
 LAKE ELBERT DRIVE, WINTER HAVEN, FLORIDA

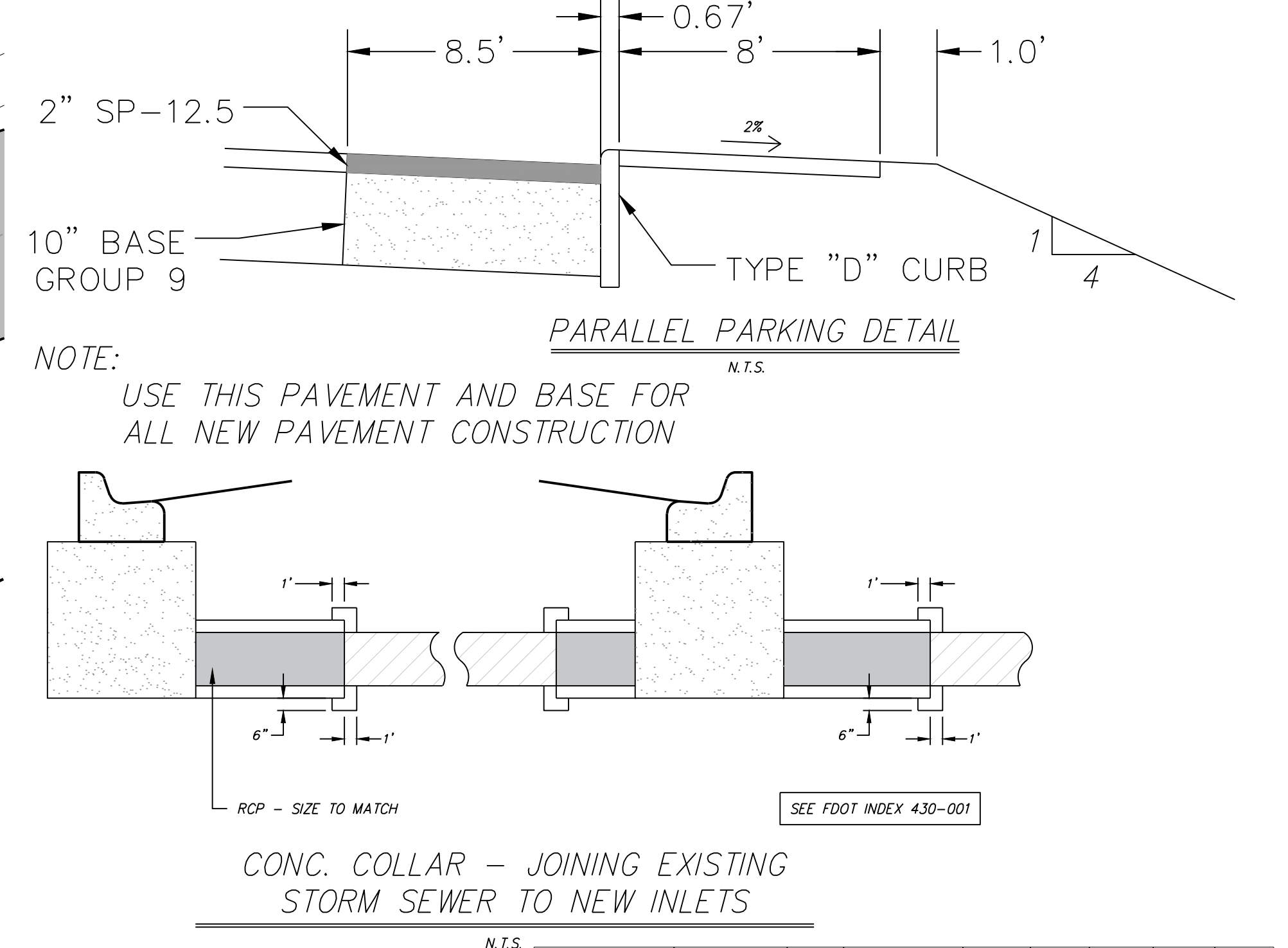
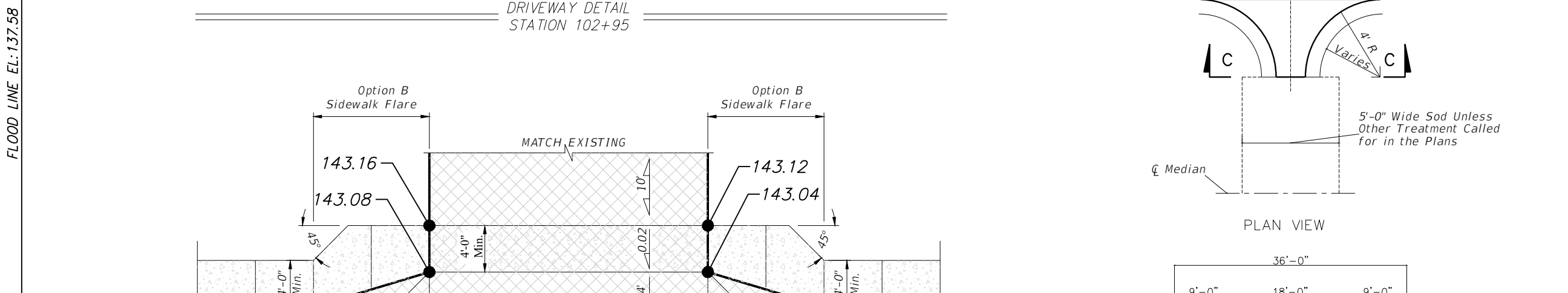
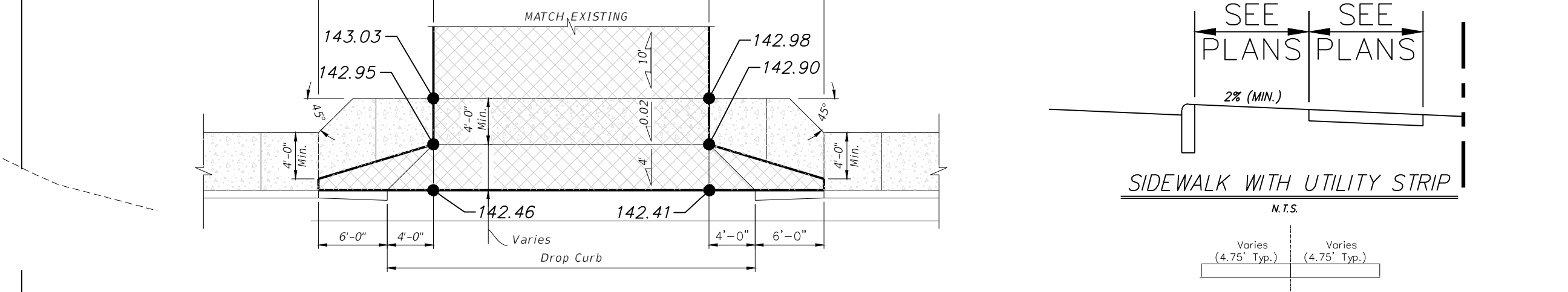
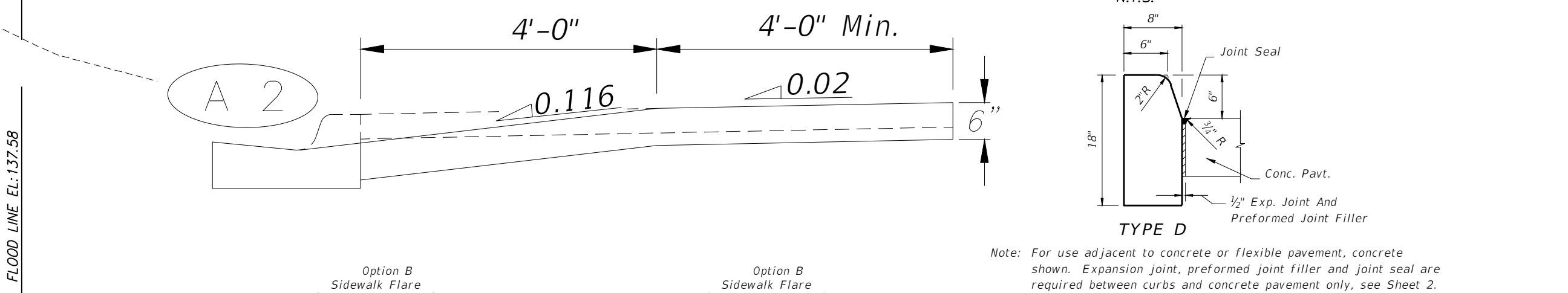
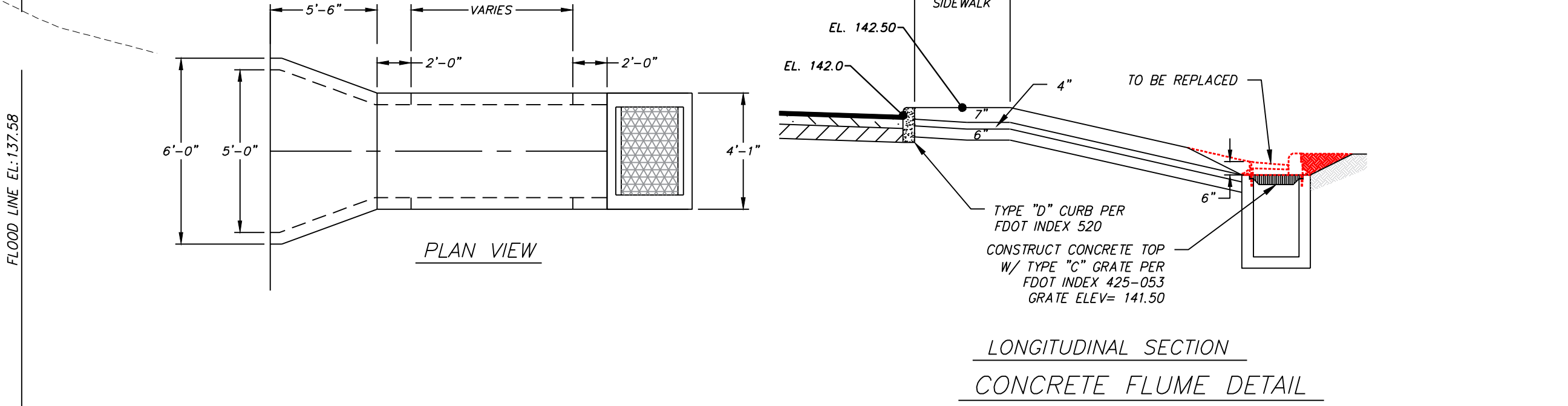
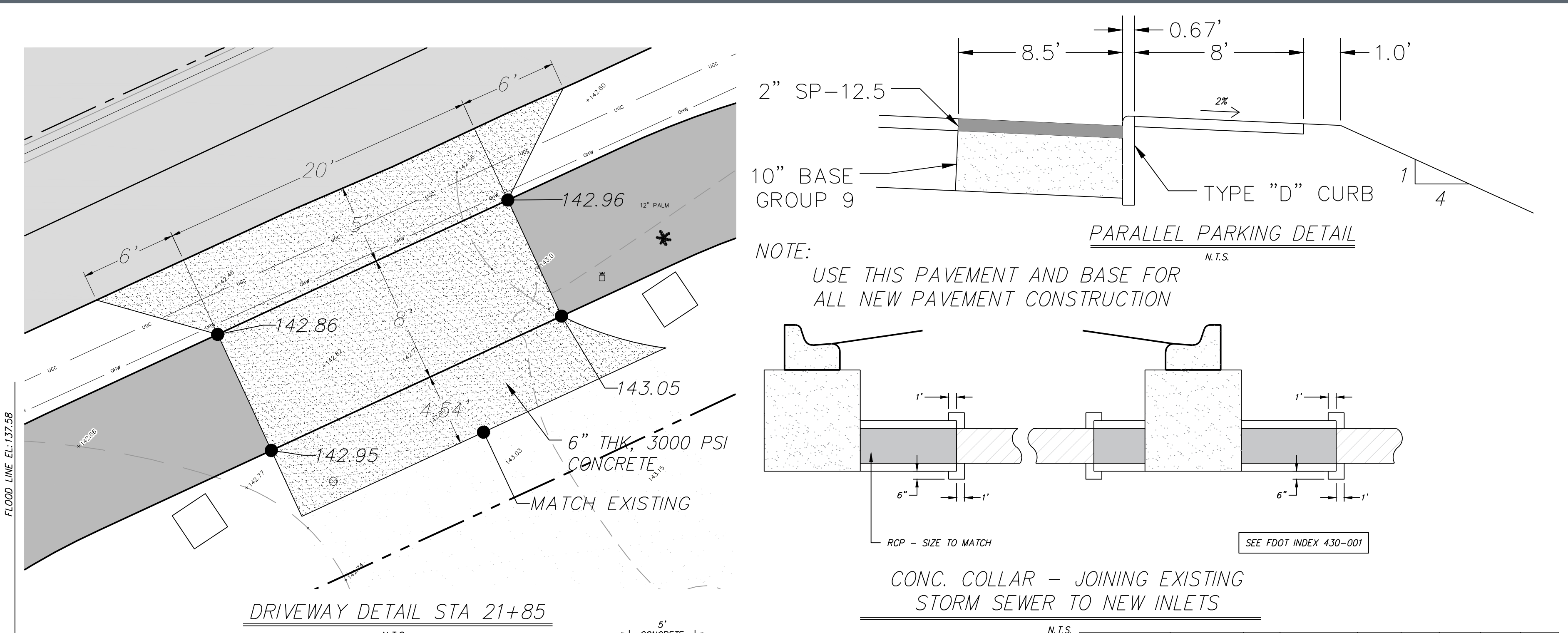
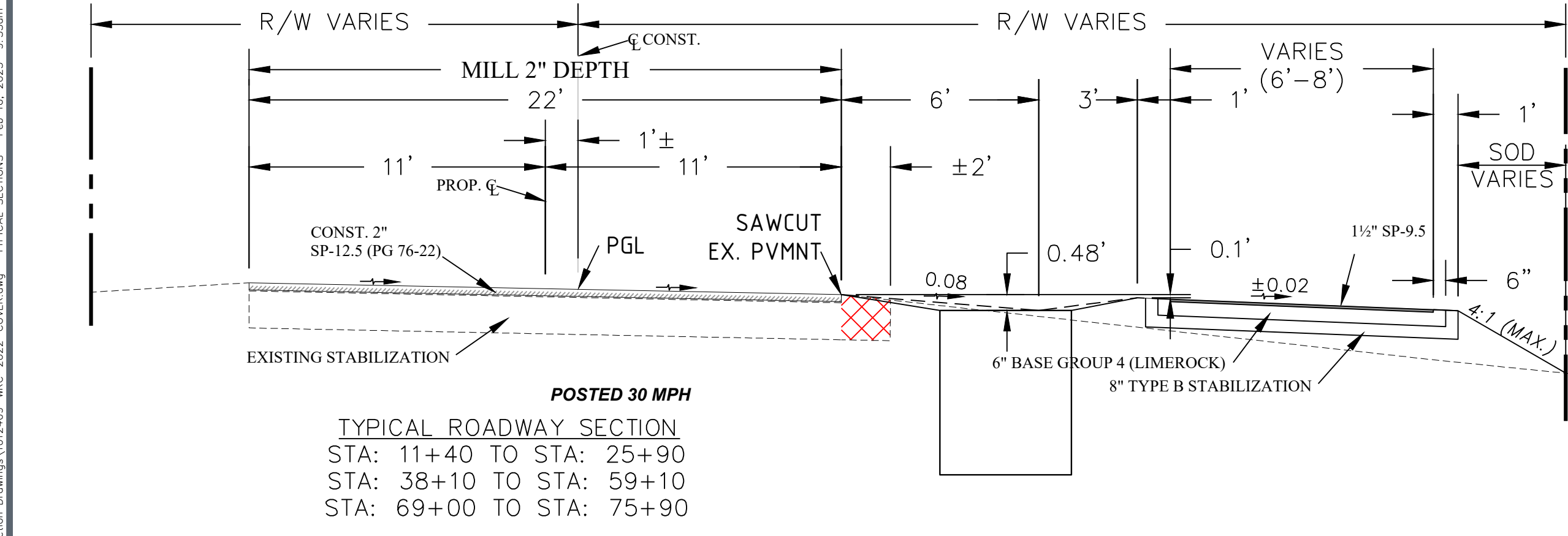
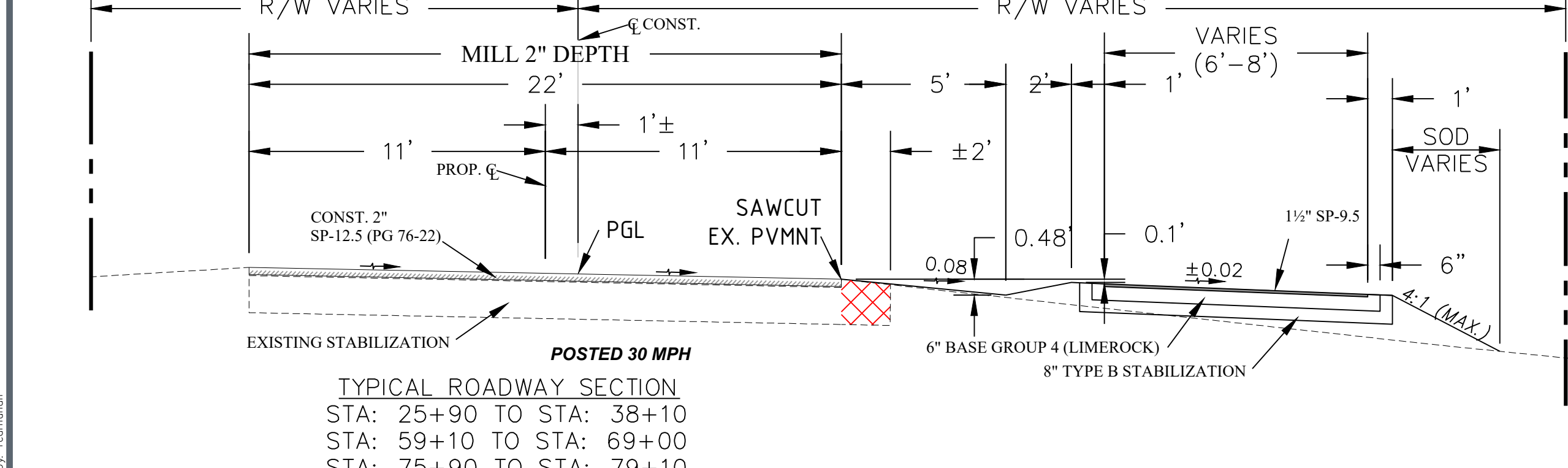
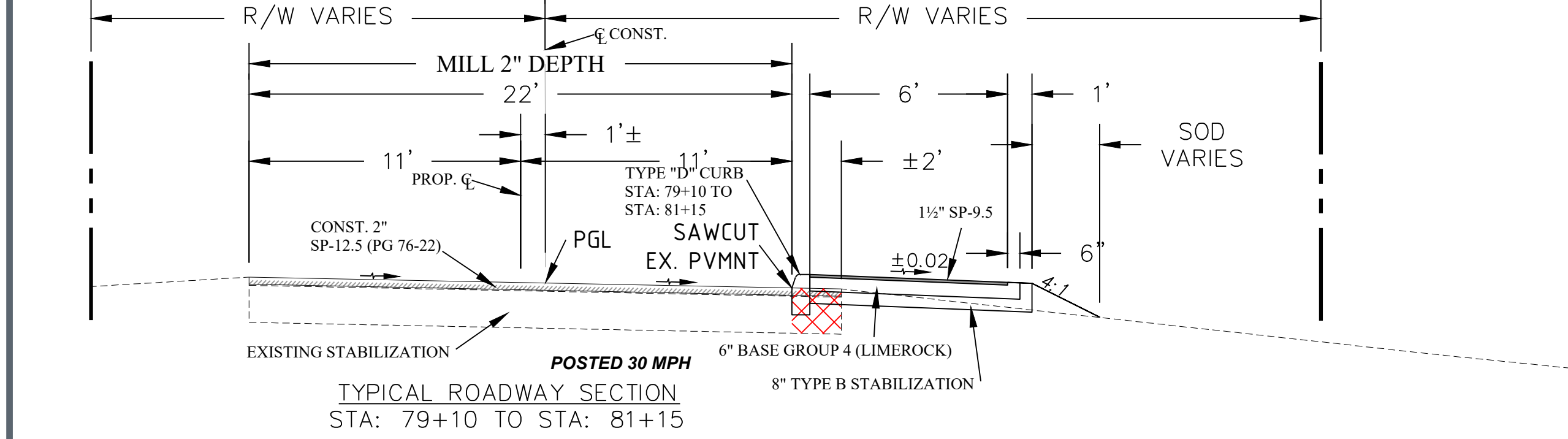
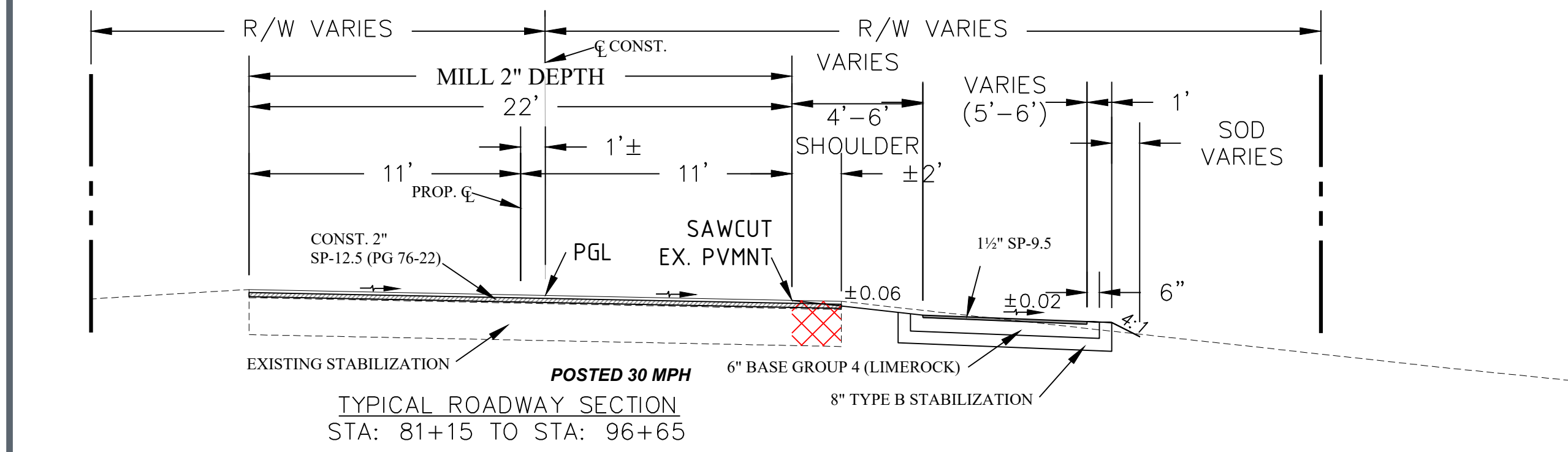
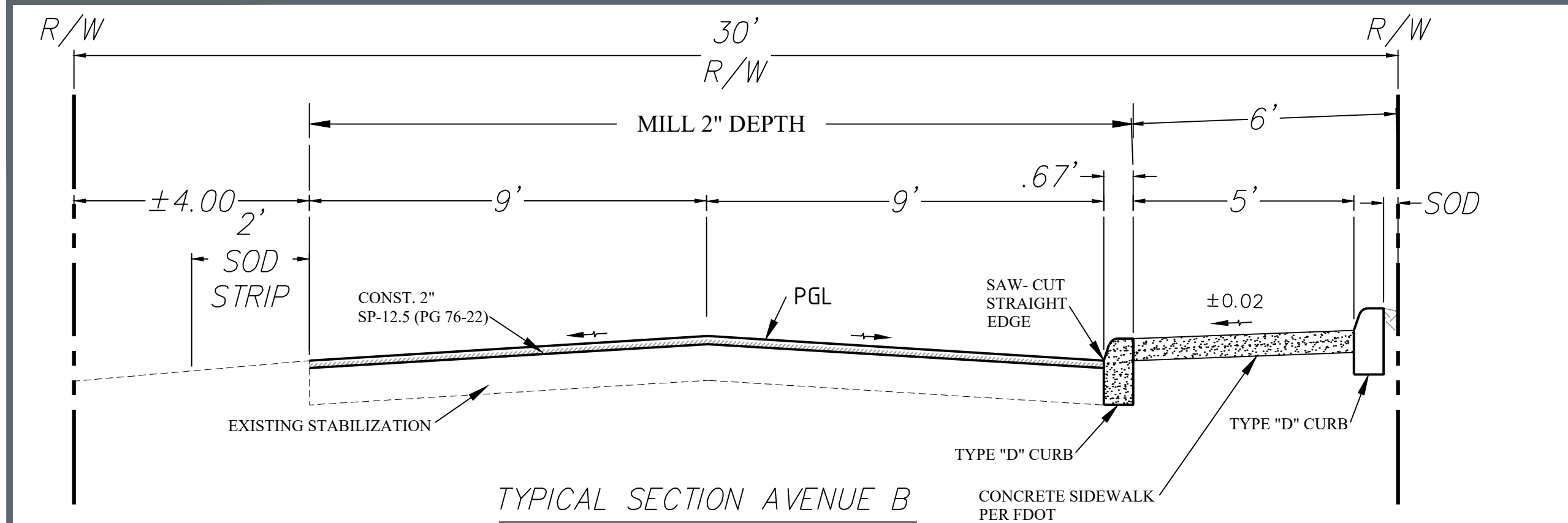
SIGN AND PAVEMENT MARKING PLAN

This item has been digitally signed and sealed by W. R. Cauthan on the date adjacent to seal. Printed copies of this document are not considered signed and sealed and the signature must be verified on any electronic copies.

February 22, 2023 ENGINEER: W. R. CAUTHAN, P.E.
 REG. NO.: 27563

PROJECT NUMBER:
10124.09

SHEET NUMBER:
SPM-03



STRUCTURE NO.	STATUS	NEW INLET NO.	FOOT TYPE	PIPE SIZE	PIPE MATERIAL	RIM/EO P/GRATE ELEV.	INV. IN	INV. OUT
EXIST. INLET NO. 01	TO REMAIN	-	-	-	-	-	-	-
EXIST. INLET NO. 02	TO BE REPLACED	ST-01	TYPE 10 INLET	-	-	140.62	-	137.02
EXIST. INLET NO. 03	TO BE REPLACED	ST-02	TYPE C INLET	-	-	139.73	135.93	135.89
EXIST. INLET NO. 04	TO BE REPLACED	ST-03	TYPE 10 INLET	-	-	140.44	-	VERIFY
EXIST. MH NO. 05	TO BE REPLACED	MH-01	STORM MANHOLE	12"	HDPE	142.35	138.39	138.39
EXIST. INLET NO. 06	TO BE REPLACED	ST-04	TYPE 4 INLET	12"	HDPE	141.64	138.25	138.25
EXIST. INLET NO. 07	TO BE REPLACED	ST-05	TYPE C INLET	12"	HDPE	140.85	137.75	137.75
EXIST. INLET NO. 08	TO BE REPLACED	ST-06	TYPE C INLET	12"	HDPE	140.14	-	138.47
EXIST. INLET NO. 09	TO BE REPLACED	ST-08	TYPE C INLET	12"	HDPE	141.32	-	138.79
EXIST. INLET NO. 10	TO BE REPLACED	ST-07	TYPE C INLET	12"	HDPE	140.72	137.01	136.91
EXIST. INLET NO. 12	TO BE REPLACED	ST-09	TYPE 10 INLET	10"	HDPE	141.90	-	139.88
NEW INLET	-	ST-10	TYPE C INLET	10"	HDPE	141.36	139.36	139.36
EXIST. INLET NO. 14	TO BE REMOVED	-	-	-	-	-	-	-
EXIST. INLET NO. 15	TO BE REMOVED	-	-	-	-	-	-	-
EXIST. INLET NO. 16	TO BE REMOVED	-	-	-	-	-	-	-
EXIST. INLET NO. 17	TO BE REMOVED	-	-	-	-	-	-	-
EXIST. INLET NO. 18	TO BE REMOVED	-	-	-	-	-	-	-
EXIST. INLET NO. 19	TO BE REMOVED	-	-	-	-	-	-	-
EXIST. INLET NO. 20	TO BE REMOVED	-	-	-	-	-	-	-
EXIST. INLET NO. 21	TO BE REMOVED	-	-	-	-	-	-	-
EXIST. INLET NO. 22	TO BE REPLACED	ST-11	TYPE 10 INLET	-	-	142.64	-	138.89
NEW INLET	-	ST-12	TYPE C INLET	-	-	142.00	138.25	138.25
EXIST. INLET NO. 23	TO BE REMOVED	-	-	-	-	-	-	-
NEW INLET	-	ST-13	TYPE 10 INLET	12"x18"	ERCP	141.73	137.90	137.90
NEW INLET	-	ST-14	TYPE 10 INLET	12"x18"	ERCP	141.26	-	138.37
EXIST. INLET NO. 24	TO REMAIN	-	-	-	-	-	-	-
NEW INLET	-	ST-15	TYPE C INLET	-	-	143.25	137.00	137.00
EXIST. INLET NO. 27	TO REMAIN	-	-	24"	HDPE	-	-	-
NEW INLET	-	ST-16	TYPE C INLET	24"	HDPE	143.00	137.91	137.06
EXIST. INLET NO. 28	TO REMAIN	-	-	-	-	-	-	-
EXIST. INLET NO. 29	TO BE REMOVED	-	-	-	-	-	-	-
EXIST. INLET NO. 30	TO BE REPLACED	ST-17	TYPE 1 INLET R	-	-	142.05	-	138.52
EXIST. INLET NO. 31	TO BE REPLACED	ST-19	TYPE 1 INLET L	-	-	141.59	138.05	138.05
NEW INLET	-	ST-18	TYPE C INLET	-	-	141.00	136.01	136.01
EXIST. INLET NO. 32	TO BE REMOVED	-	-	-	-	-	-	-
EXIST. INLET NO. 33	TO BE REMOVED	-	-	-	-	-	-	-
EXIST. MH NO. 35	TO REMAIN	-	-	-	-	-	-	-
EXIST. INLET NO. 36	TO REMAIN	-	-	-	-	-	-	-
EXIST. INLET NO. 37	TO BE REMOVED	-	-	-	-	-	-	-
EXIST. INLET NO. 38	TO BE REMOVED	-	-	-	-	-	-	-
NEW INLET	-	ST-20	TYPE 4 INLET	18"	HDPE	139.50	135.81	135.81
NEW INLET	-	ST-21	TYPE 3 INLET R	18"	HDPE	142.00	-	138.20
NEW INLET	-	ST-22	TYPE 3 INLET L	18"	HDPE	142.00	138.00	138.00
EXIST. INLET NO. 39	TO BE REPLACED	ST-24	TYPE C INLET	15"	HDPE	139.78	138.00	138.00
NEW INLET	-	ST-23	TYPE 3 INLET R	15"	HDPE	143.00	-	140.00
NEW INLET	-	ST-25	TYPE 3 INLET L	15"	HDPE	143.00	139.80	139.80
EXIST. INLET NO. 40	TO REMAIN	-	-	-	-	-	-	-
EXIST. INLET NO. 41	TO REMAIN	-	-	-	-	-	-	-
EXIST. INLET NO. 42	TO BE REMOVED	-	-	-	-	-	-	-

P:\1012459\CAD\Civil\1012459\Production\Drawings\1012459-MISC-2022-COVER.dwg TYPICAL SECTIONS Feb. 10, 2023 9:53am by: rcombs

NUMBER	DATE	DESCRIPTION
P-0	12/08/2022	90% PLANS ISSUED TO CITY OF WINTER HAVEN FOR REVIEW

CHASTAIN-SKILLMAN
205 EAST ORANGE STREET
SUITE #110
LAKELAND, FL 33801-4611
(863) 646-1402



CITY OF WINTER HAVEN
LAKE ELBERT TRAIL
LAKE ELBERT DRIVE, WINTER HAVEN, FLORIDA

TYPICAL SECTIONS & DETAILS

PROJECT NUMBER:
10124.09

SHEET NUMBER:
C-02

ENGINEER: W. R. CAUTHAN, P.E.
REG. NO.: 27563

PROJECT NUMBER:
10124.09

SHEET NUMBER:
C-02